

AR500, AR510, AR531, AR550, AR1500, and AR2500 Hardware Description

This document describes hardware components of the AR, including the cabinet, chassis, power supply facilities, fan modules, cards, cables, and pluggable modules for interfaces. You can find useful information about AR hardware components from this document.

- About This Document
- Using the Hardware Query Tool to Query Hardware Description Information
- Version Requirements for Components
- Chassis
 - Power Supplies
 - Overview of Power Modules
 - Types of Power Supplies (Industry)
 - 100 W PoE Power Adapter
 - 24 W Integrated Power Adapter
 - 24 W Integrated Power Adapter with an Adapter Cable
 - 60 W Industrial AC Power Module**
 - 60 W DC Power Module
 - 60 W AC power module
 - 180 W PoE Midspan
 - 240 W AC PoE Power Module
- Cards
- Cables
- Pluggable Modules for Interfaces
- Accessories
- Assembly Box
- Open Source Software Notice

Rate and give feedback:

60 W Industrial AC Power Module

Product Support

Table 4-20 lists the device models that support a 60 W industrial AC power module.

Table 4-20 Product support

Module Name	Product Support
60 W industrial AC power module	AR502CG-L AR502EG-L AR502EG-La AR502EG-Lj AR502EGRb-L AR502EGRc-Lc AR502EGRz-L AR502EGRz-Lc AR502EGW-L AR502G-L-D-H AR502GR-L-D-H AR509CG-Lc AR509CG-Lt AR509CGW-L AR509G-Lc AR509G-L-D-H AR509GW-L-D-H AR531G-U-D-H AR550-24FE-D-H AR550-8FE-D-H AR550C-2C6GE AR550C-4GE AR550E

Appearance

Figure 4-4 shows the appearance of a 60 W industrial AC power module.

Translation

Favorite

Download

Updated: 2022-12-14

Related Documents

AR100-S, AR110-S, AR120-S, AR150-S, AR160-S, AR200-S, AR1200-S, AR2200-S, and AR3200-S Hardware Description

AR100, AR120, AR150, AR160, AR200, AR1200, AR2200, AR3200, and AR3600 Hardware Description

AR1200&AR2200&AR3200&AR3600 Safety and Regulatory Compliance Information

Digital Signature File

Digital Signature Authentication Mode

Share



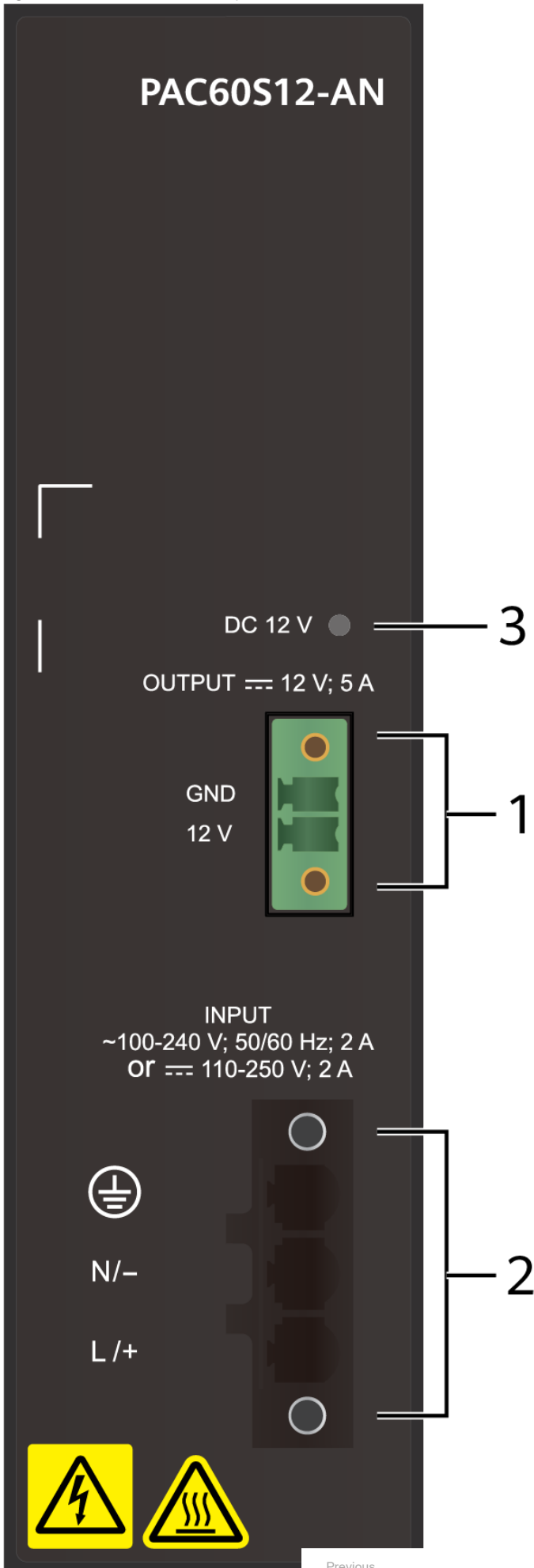
Function

Table 4-21 describes functions of a 60 W industrial AC power module.

Table 4-21 Function description

Function	Description
Input overcurrent protection	The power module cannot automatically resume power supply from this protection state.
Input undervoltage protection	The power module can automatically resume power supply from this protection state.
Output overvoltage protection	The power module can automatically resume power supply from this protection state.
Output overcurrent protection	The power module can automatically resume power supply from this protection state.
Output short-circuit protection	The power module can automatically resume power supply from this protection state.
Overtemperature protection	When the temperature of the power module exceeds a specified threshold, the power module stops supplying power. When the temperature falls into the normal range, the power module automatically resumes power supply.
Hot swap	Supported

Figure 4-5 Panel of a 60 W industrial AC power module



Previous

Next

1	2-pin DC output power socket	Connect the power cable to the router using a power cable with a 2-pin plug.
2	AC/DC input power socket	Connect the power adapter to an external power supply system using a power cable with a 3-pin plug.
3	DC 12 V	<ul style="list-style-type: none"> Steady on: The power output is normal. Off: The power output is abnormal. Blinking: The power module is in hiccup protection state.

Technical Specifications

Table 4-23 lists technical specifications of a 60 W industrial AC power module.

Table 4-23 Technical specifications

Item	Specification
Physical parameter	<ul style="list-style-type: none"> Dimensions (H x W x D): 40 mm x 150 mm x 130 mm (1.57 in. x 5.91 in. x 5.12 in.) Weight: 0.9 kg (1.98 lb)
Environment parameter	<ul style="list-style-type: none"> Storage temperature: -40°C to +85°C (-40°F to +185°F) Operating temperature: -40°C to +70°C (-40°F to +158°F) Operating relative humidity: 5% to 95%, noncondensing
Input	Rated input voltage range: <ul style="list-style-type: none"> AC: 100 V to 240 V; 50/60 Hz; 2 A DC: 110 V to 250 V; 2 A Maximum input voltage range: <ul style="list-style-type: none"> AC: 90 V to 290 V DC: 88 V to 300 V
Output	Rated output voltage: 12 V DC Rated output current: 5 A

Ordering Information

To place an order, visit <https://e.huawei.com/en/how-to-buy> to find the local supplier or submit your inquiries online.

Table 4-24 provides 60 W industrial AC power module ordering information.

Table 4-24 Ordering information

Part Number	Model	Name Label (Silkscreen)	Description
02131664	PAC60S12-AN	PAC60S12-AN	AC-DC Power, -40degC, 70degC, 90V, 290V, 12.2V/5A, PAC60S12-AN



About Us



How to Buy



Partner



Resources



Quick Links



Huawei e+ App



Copyright © 2023 Huawei Technologies Co., Ltd. All rights reserved.

[Privacy](#) [Terms of use](#) [Cookies](#) [Cookie Settings](#)